

STANDARDS AUSTRALIA

Amendment No. 1

to

AS 1428.1—2009

Design for access and mobility

Part 1: General requirements for access—New building work

CORRECTION

The 2009 edition of AS 1428.1 is amended as follows; the amendment(s) should be inserted in the appropriate place(s).

SUMMARY: This Amendment applies to Clauses 6.5.2, 6.6, 7.4.1(a), 8.1, 10.1(a), 10.3(i), 13.4, 15.2.3, 15.2.4(b), 15.2.5, 15.2.8.2(a), 15.5.10 (new), 15.6(b), Figures 4, 8, 9, 18 (caption), 14, 19, 22(A) and (B), 23(a) and (b), 24(C), 38(a) and (b), 39(a) and (b), 40, 43, 44(A) and (B), 45, 50, 52, 53(A), 54(D) (new) and (E) (new), Appendix A1(a) and (b) and the Bibliography.

Published on 26 November 2010.

AMDT
No. 1
NOV
2010

Clause 6.5.2

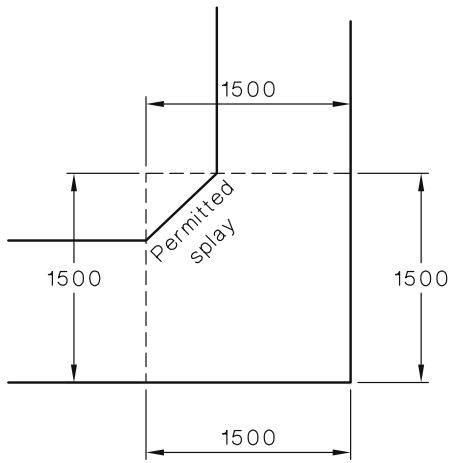
Delete the Clause and *replace* with the following:

‘Where the angle of turn is 30° to less than 60° and the width of the path of travel is less than 1200 mm, a splay of at least 500 mm × 500 mm shall be made on the internal corner, as shown in Figure 4.’

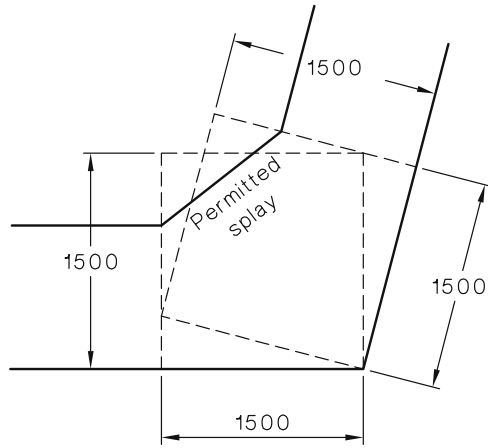
AMDT
No. 1
NOV
2010

Figure 4

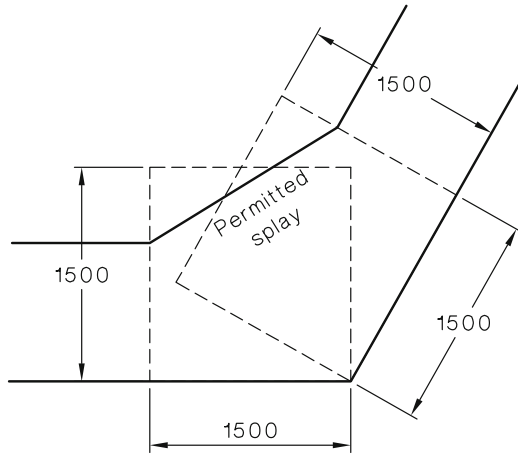
Delete Figure 4 and replace with the following:



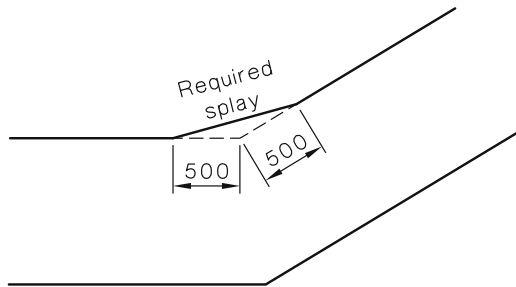
Turn 90° in path of travel
Corridor less than 1500 mm wide
requires widening at turn



Turn 75° in path of travel
Corridor less than 1500 mm wide
requires widening at turn



Turn 60° in path of travel
Corridor less than 1500 mm wide
requires widening at turn



Turn 30° to <60° in path of travel
less than 1200 mm wide

AMDT
No. 1
NOV
2010

Clause 6.6

First paragraph after 'solid' *add* the words 'and non-transparent'.

AMDT
No. 1
NOV
2010

Clause 7.4.1(a)

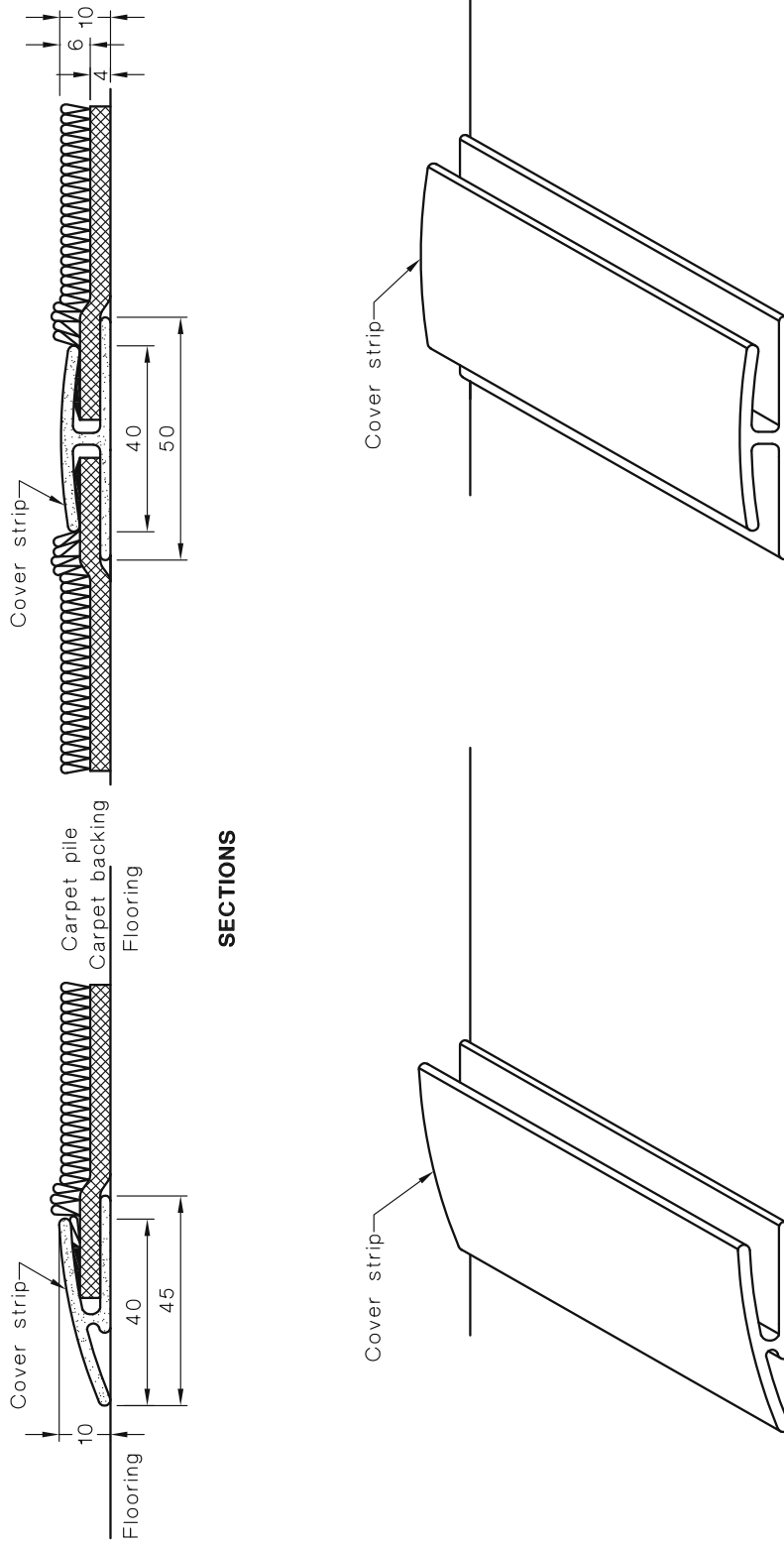
Delete Clause text and *replace* with the following:

'the pile height or pile thickness shall not exceed 6 mm and the carpet backing thickness shall not exceed 4 mm;'

AMDT
No. 1
NOV
2010

Figure 8

Delete Figure 8 and replace with the following:



Clause 8.1

Delete the entire Clause and *replace* with the following:

8.1 Form of signs

'The BCA contains requirements for Braille and tactile signage in Specification D3.6.

Where signs are required, the form of signs shall be as follows:

(a) Where required, raised tactile and/or Braille signage shall be provided as follows:

(i) Sanitary facilities shall be identified with the following:

- (A) Raised and visual versions of the international symbol of access.
- (B) Raised and visual versions of the male and female symbols.
- (C) Raised text that shall be in title case (e.g. Male Toilet).

NOTE: Title case has the first letter of each word capitalized and the rest are lower case. Short articles, prepositions and conjunctions are not capitalized.

(D) Braille that fully describes the visual information displayed by symbols and raised text.

NOTES:

- 1 For example, a sign for a male accessible toilet will include the words Male Toilet as visual, raised text and Braille as well as the raised visual male symbol.
- 2 An example of a sign is given in Figure 9(a).

(ii) Signs for unisex accessible facilities shall be provided with the letters LH or RH to indicate a left-hand or right-hand side transfer onto the WC pan. The minimum font size shall be 20 mm san serif.

NOTES:

- 1 An example of right-hand side (RH) transfer is shown on Figure 9(a).
- 2 Helvetica and Arial are san serif fonts.

(iii) Entry doors to airlocks serving areas containing sanitary facilities shall be identified by the use of raised text and Braille, together with raised and visual symbols identifying each sanitary facility within.

NOTES:

- 1 One symbol for each facility need only be used.
- 2 Where the facilities for male and female are separate, a dividing line should be placed between each symbol.

(b) Elements of a sign shall be set out singularly, or in a modular form.

NOTE: Examples of modular form are shown in Figures 9(a), 9(d), 9(e) and 9(f).

(c) Elements of a sign shall be arranged horizontally or vertically and shall include raised text and Braille, together with raised and visual symbols. Where words are used, they shall be displayed horizontally.

NOTE: Other symbols may be used in association with the text.

(d) Facilities shall be identified by the use of raised text, Braille, and symbols if required. The identification shall be between 1200 mm and 1600 mm above finished floor levels.

- (e) A sanitary compartment for people with ambulant disabilities shall be identified in accordance with Figure 9(c).

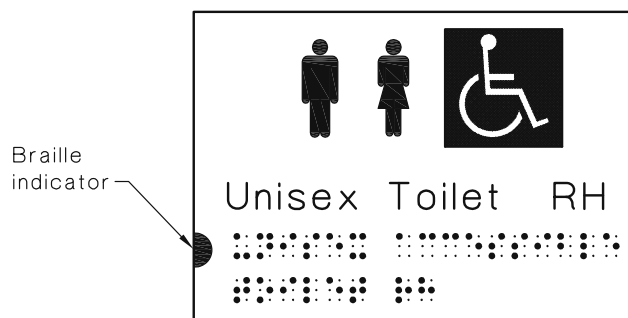
Braille shall be Unified English Braille (UEB), Grade 1, uncontracted, and shall be in accordance with the technical specifications set out by the Australian Braille Authority (ABA). Braille numerals shall be preceded by a Braille numerical sign.

The International Symbol of Access and the International Symbol for Deafness (see Clause 8.2.2) may be used without raised explanatory text such as 'accessible' or 'hearing loop installed'.

Figure 9

Delete Figures (a) to (f) and replace with the following:

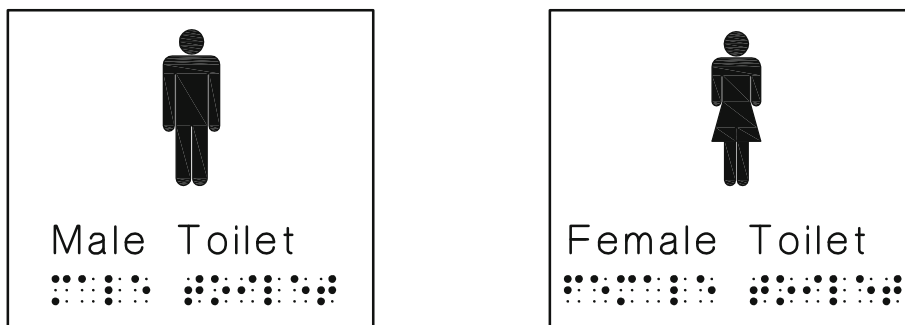
AMDT
No. 1
NOV
2010



- (a) Example of identification sign for a unisex accessible toilet with a right-hand (RH) transfer

NOTES:

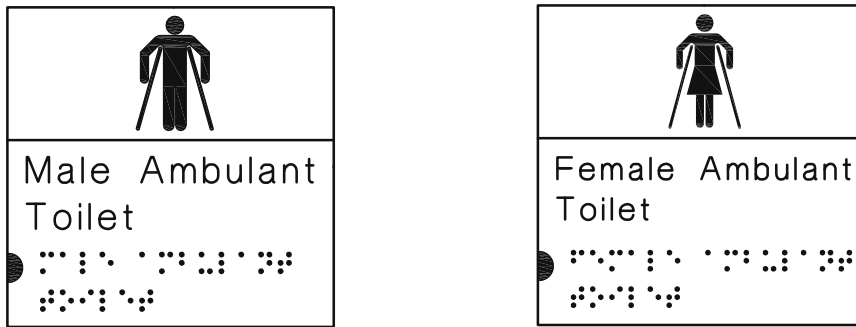
- 1 The Braille indicator is only used where there are multiple lines of text. It indicates the location of the first line of Braille.
- 2 Visual message: The sign displays a unisex accessible toilet with right-hand (RH) transfer.
- 3 Minimum required raised tactile message: 'Unisex Toilet RH' in raised tactile print and symbols.
- 4 Minimum required Braille message: 'Unisex accessible toilet RH' for right-hand transfer.



- (b) Example of identification signs for male and female toilets

NOTES:

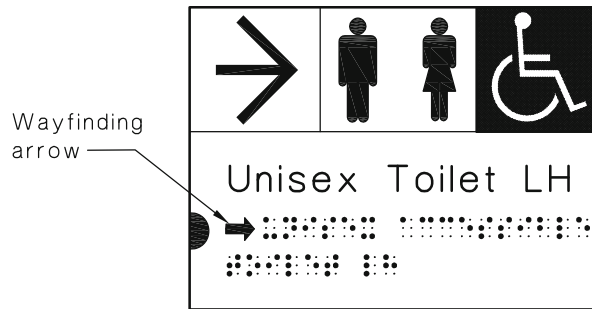
- 1 Visual message: The signs display male toilet and female toilet.
- 2 Minimum required raised tactile message: 'Male Toilet', 'Female Toilet' in raised tactile print and symbols.
- 3 Minimum required Braille message: 'Male Toilet', 'Female Toilet'.



(c) Example of identification signs for ambulant accessible male and female toilets

NOTES:

- 1 Visual message: The signs display ambulant accessible male and female toilets.
- 2 Minimum required raised tactile message: 'Ambulant Male Toilet', 'Ambulant Female Toilet' in raised tactile print and symbols.
- 3 Minimum required Braille message: 'Male Ambulant Toilet', 'Female Ambulant Toilet'.



(d) Example of wayfinding sign to a unisex accessible toilet with left-hand (LH) transfer

NOTES:

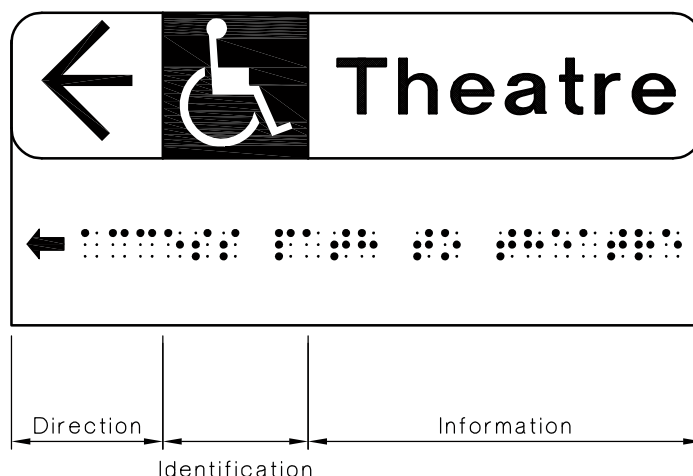
- 1 Visual message: The sign displays the direction to a unisex accessible toilet with left-hand (LH) transfer.
- 2 Minimum required tactile message: 'Unisex Toilet LH' with raised tactile wayfinding arrow, print and symbols.
- 3 Minimum required Braille message: 'Unisex accessible toilet LH' with a wayfinding arrow of Braille cell proportion.



(e) Example of wayfinding sign to a unisex accessible toilet

NOTES:

- 1 Visual message: The sign displays an accessible path of travel using a lift to level 3 to a unisex accessible toilet.
- 2 Minimum required tactile message: 'Unisex Toilet Level 3' with raised tactile symbols and print.
- 3 Minimum required Braille message: 'Unisex accessible toilet on Level 3' with a wayfinding arrow of Braille cell proportion.



(f) Example of wayfinding sign to identify facilities for persons with mobility disabilities

NOTES:

- 1 Visual message: The sign displays the direction of an accessible path of travel to a theatre.
- 2 Minimum required tactile message: Raised tactile wayfinding arrow, print and symbols.
- 3 Minimum required Braille message: 'Access path to theatre' with a wayfinding arrow of Braille cell proportion.

Clause 10.1(a)

Delete 'Figure 13' and replace with 'Figure 14'.

Clause 10.3(i)

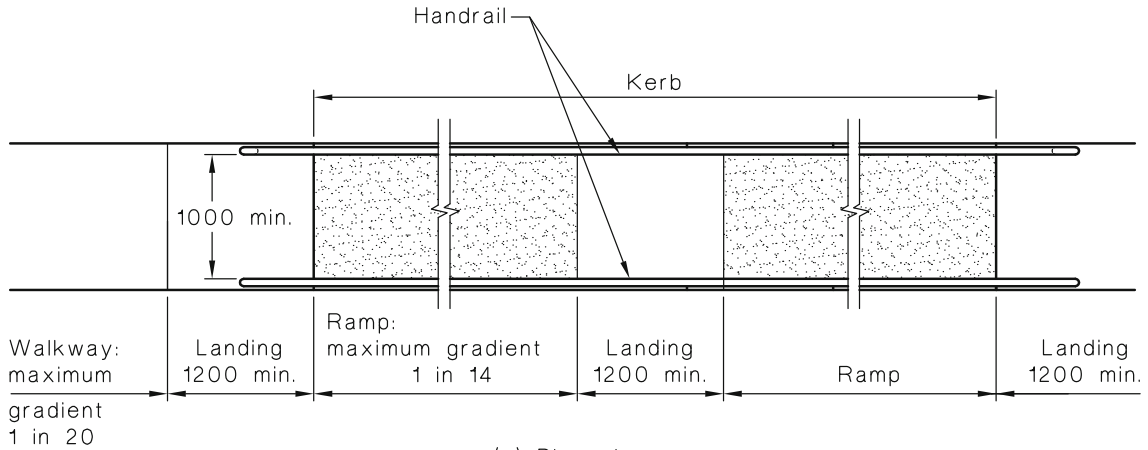
Delete Note 1 and replace with the following:

- '1 For details on kerbs and kerb rails, see Figure 18.'
-

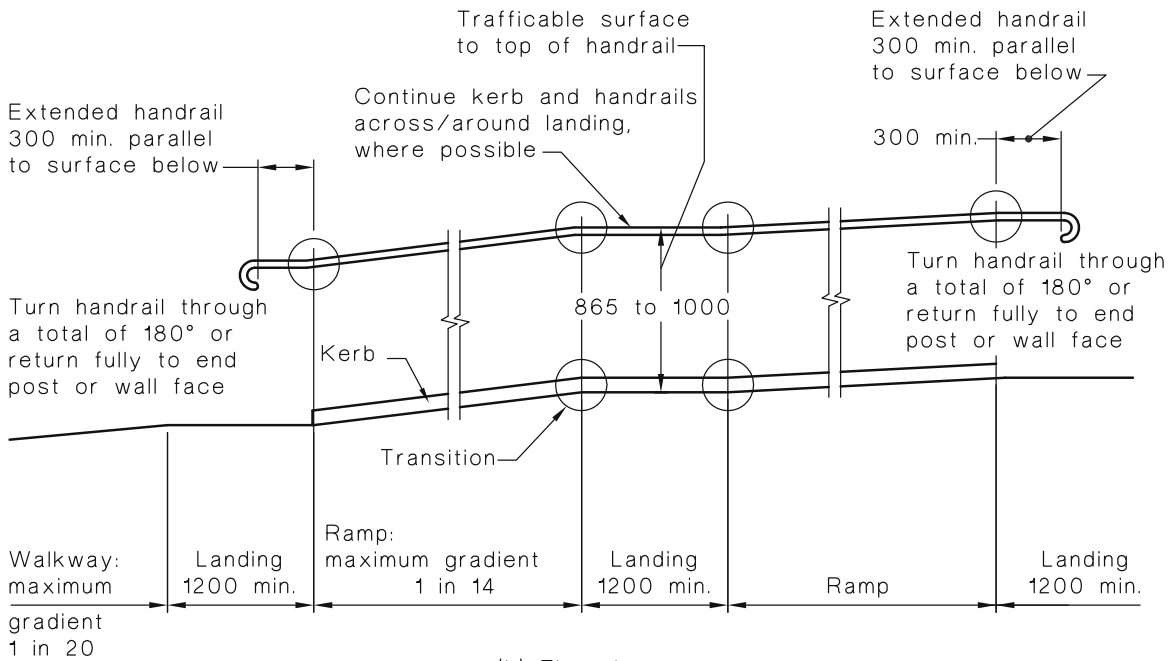
AMDT
No. 1
NOV
2010

Figure 14

Delete Figure 14 and replace with the following:



(a) Plan view



(b) Elevation

Figure 18 caption

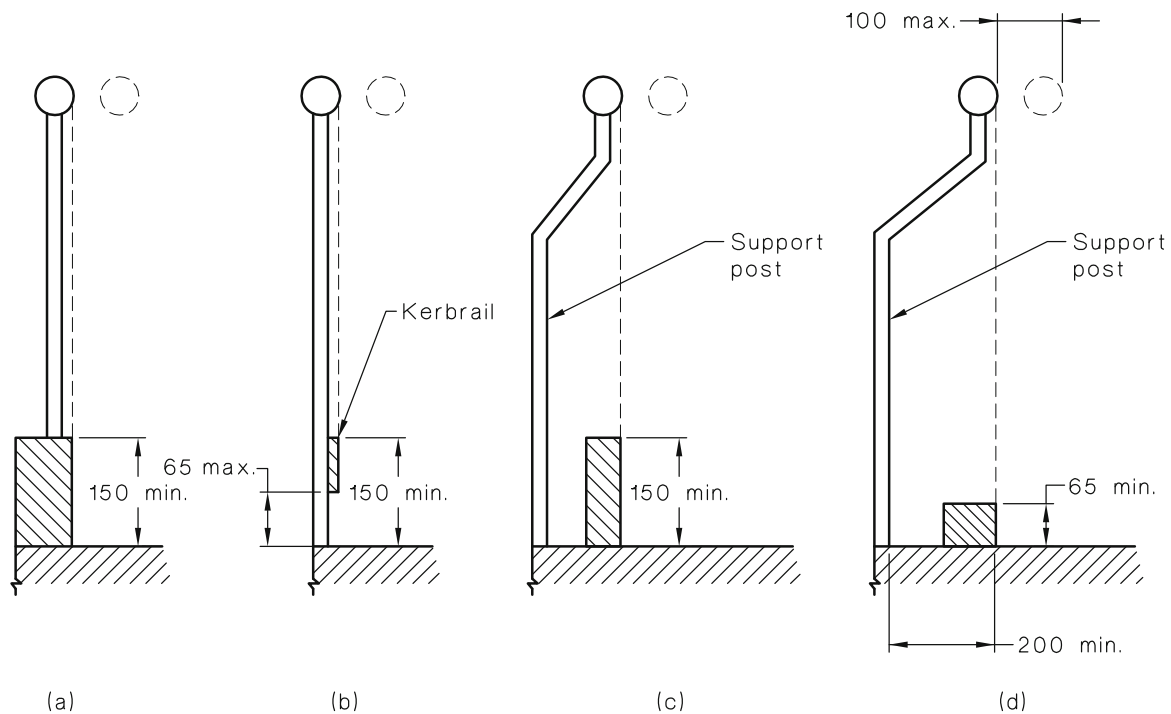
Delete the words 'Kerb rail' and replace with 'Kerb'.

AMDT
No. 1
NOV
2010

AMDT
No. 1
NOV
2010

Figure 19

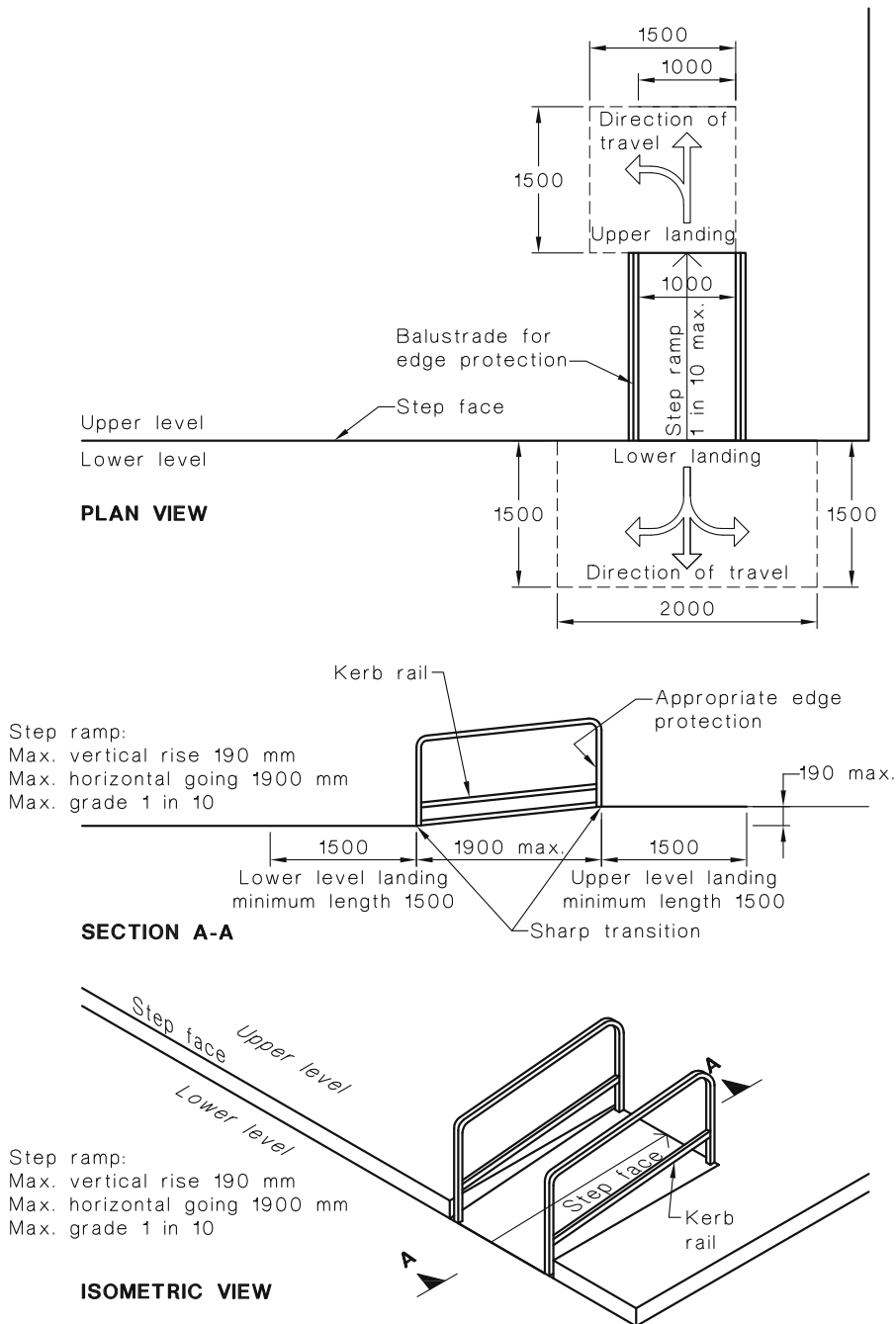
Delete Figure 19 and replace with the following:



AMDT
No. 1
NOV
2010

Figure 22(A)

Delete Figure 22(A) and replace with the following:



NOTES:

- 1 Where there is no turn involved, top and bottom landing may be reduced to 1200 mm min. in length.
- 2 Kerb or kerb rails shall be provided in accordance with Clause 10.6.1 except where splayed sides are provided at a 45° angle.

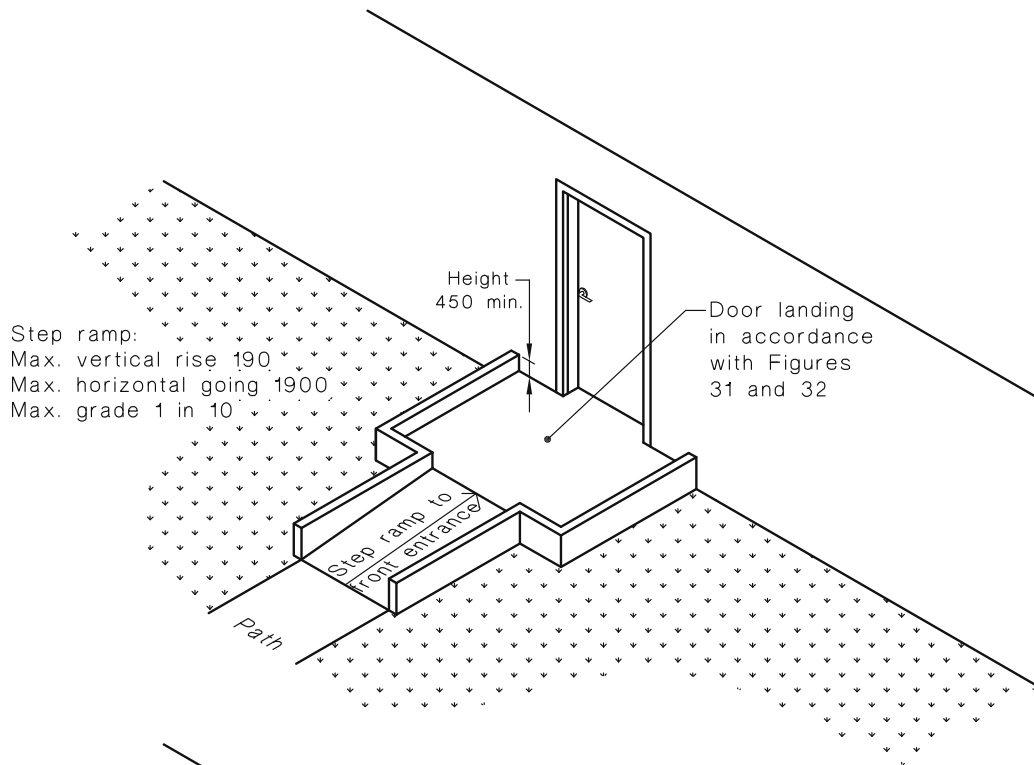
DIMENSIONS IN MILLIMETRES

FIGURE 22(A) INSERTED STEP RAMP

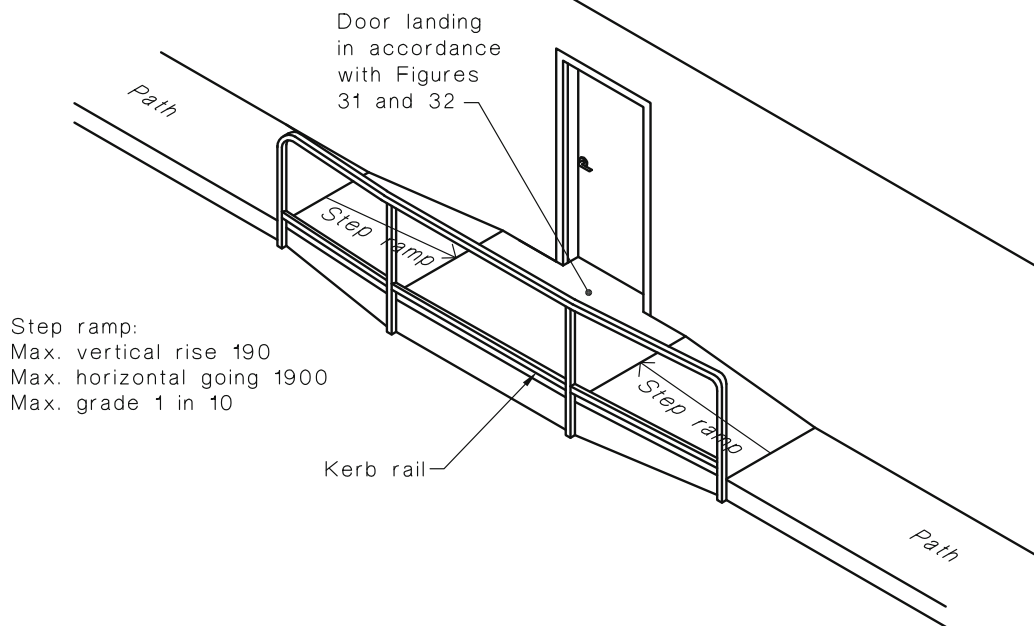
AMDT
No. 1
NOV
2010

Figure 22(B)

Delete Figure 22(B) and replace with the following:



EXTERNAL STEP RAMP
AT ENTRANCE TO BUILDING



EXTERNAL STEP RAMP
AT ENTRANCE TO BUILDING

AMDT
No. 1
NOV
2010

Figure 23(a)

Delete Note 1 and *replace* with the following:

‘1 Centre-line of kerb ramps and pedestrian refuges shall align across the road or vehicular driveway within the building/property allotment.’

AMDT
No. 1
NOV
2010

Figure 23(b)

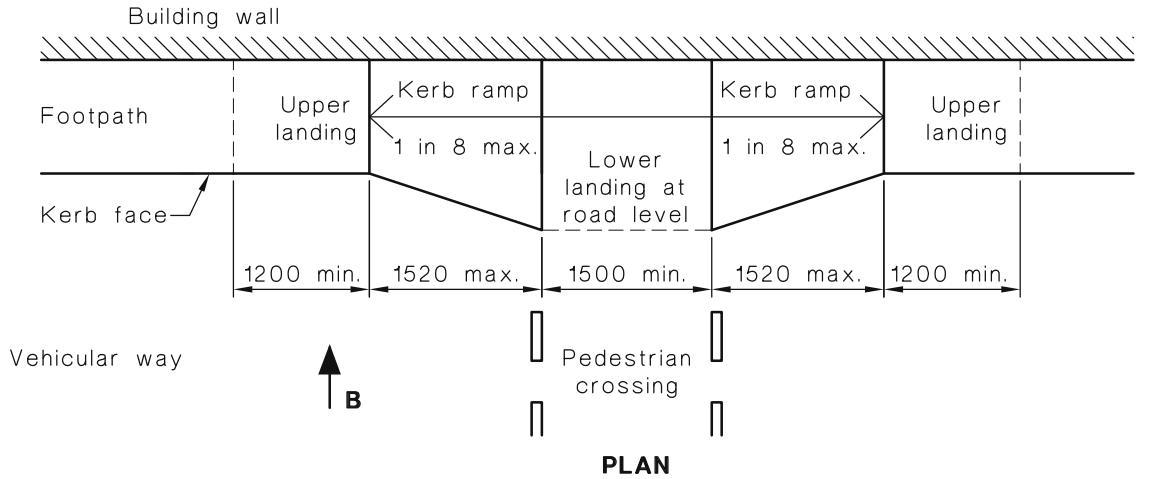
Delete Note 1 and *replace* with the following:

‘1 Centre-line of kerb ramps and pedestrian refuges shall align across the road or vehicular driveway within the building/property allotment.’

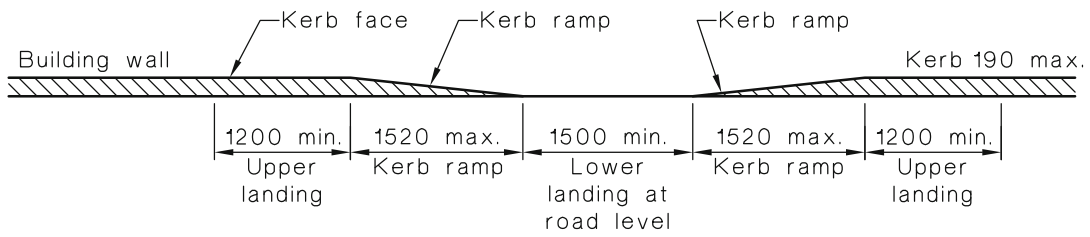
AMDT
No. 1
NOV
2010

Figure 24(C)

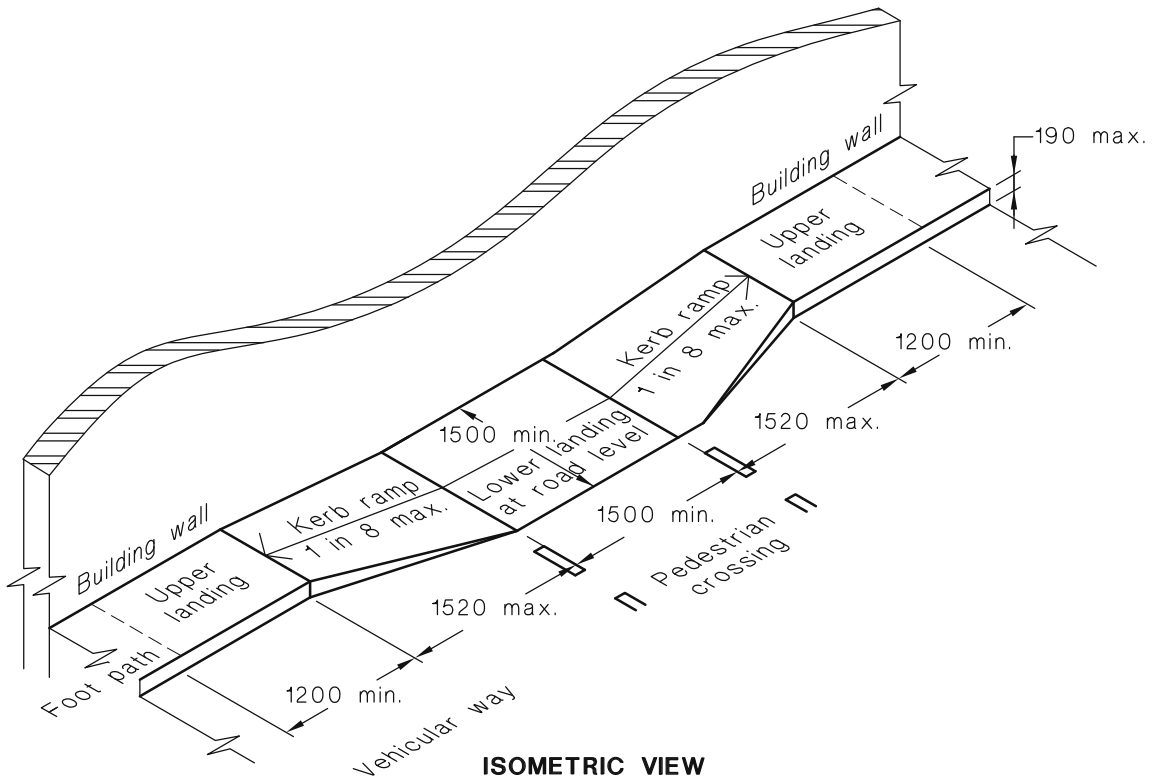
Delete Figure 24(C) and replace with the following:



PLAN



ELEVATION B



ISOMETRIC VIEW

AMDT
No. 1
NOV
2010

Clause 13.4

Delete second sentence of the first paragraph and *replace* with the following:

‘Where the doors encroach into space, the distance shall be not less than 1450 mm plus the door leaf width, as shown in Figure 34(a), and shall comply with Figure 31 and 32 as applicable.’

AMDT
No. 1
NOV
2010

Clause 15.2.3

Insert the following:

‘(f) remain in the upright position when fully raised.’

AMDT
No. 1
NOV
2010

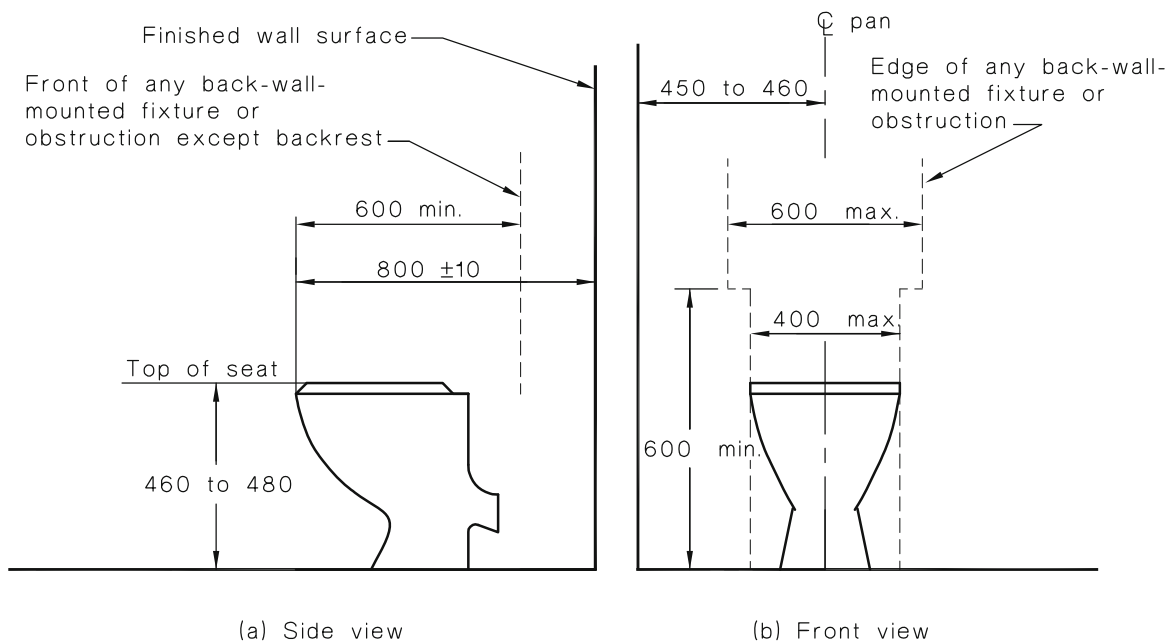
Clause 15.2.4(b)

Delete the word ‘pan’ and *replace* with ‘seat’:

AMDT
No. 1
NOV
2010

Figure 38(a) and (b)

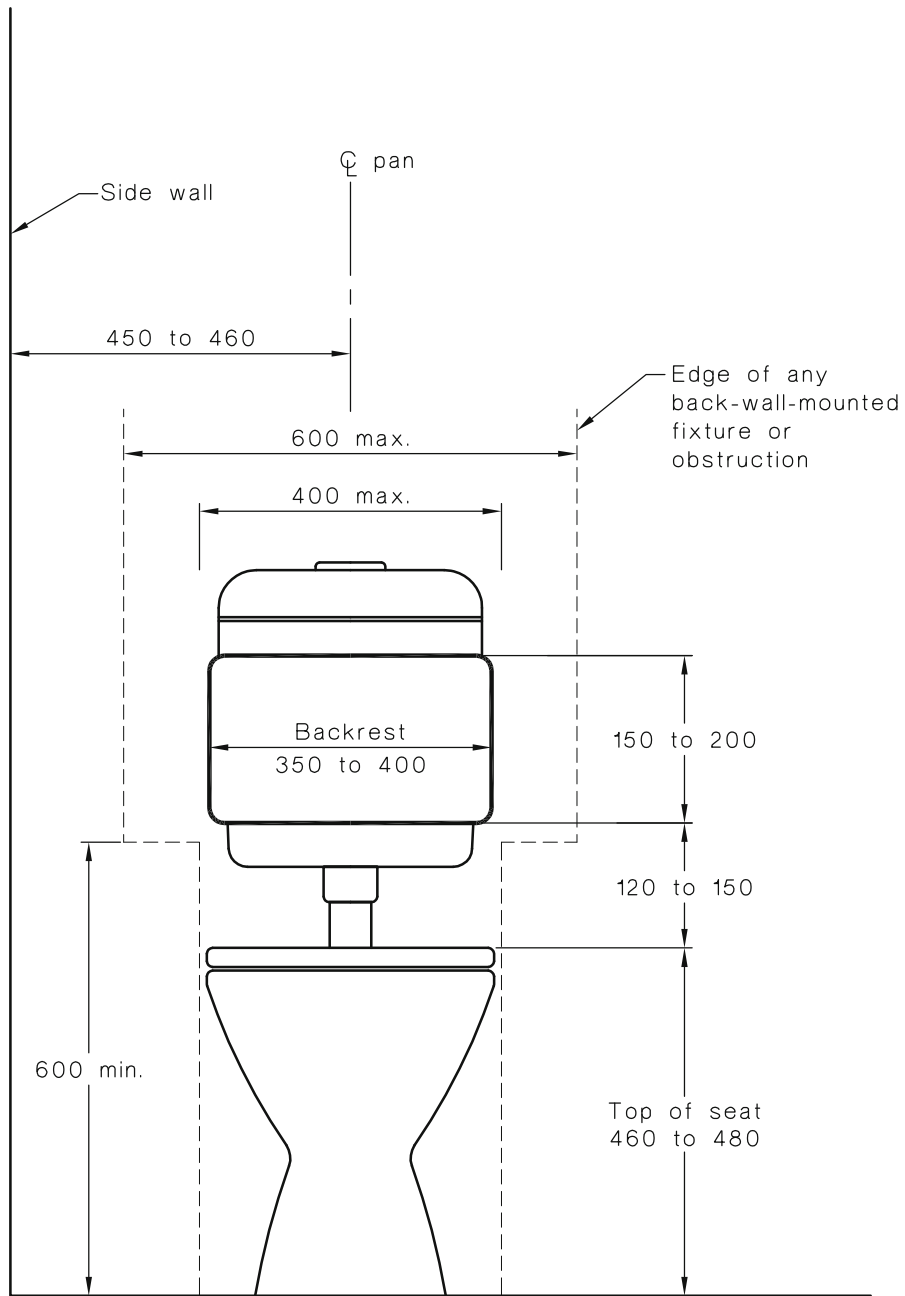
Delete Figure 38(a) and (b) and *replace* with the following:



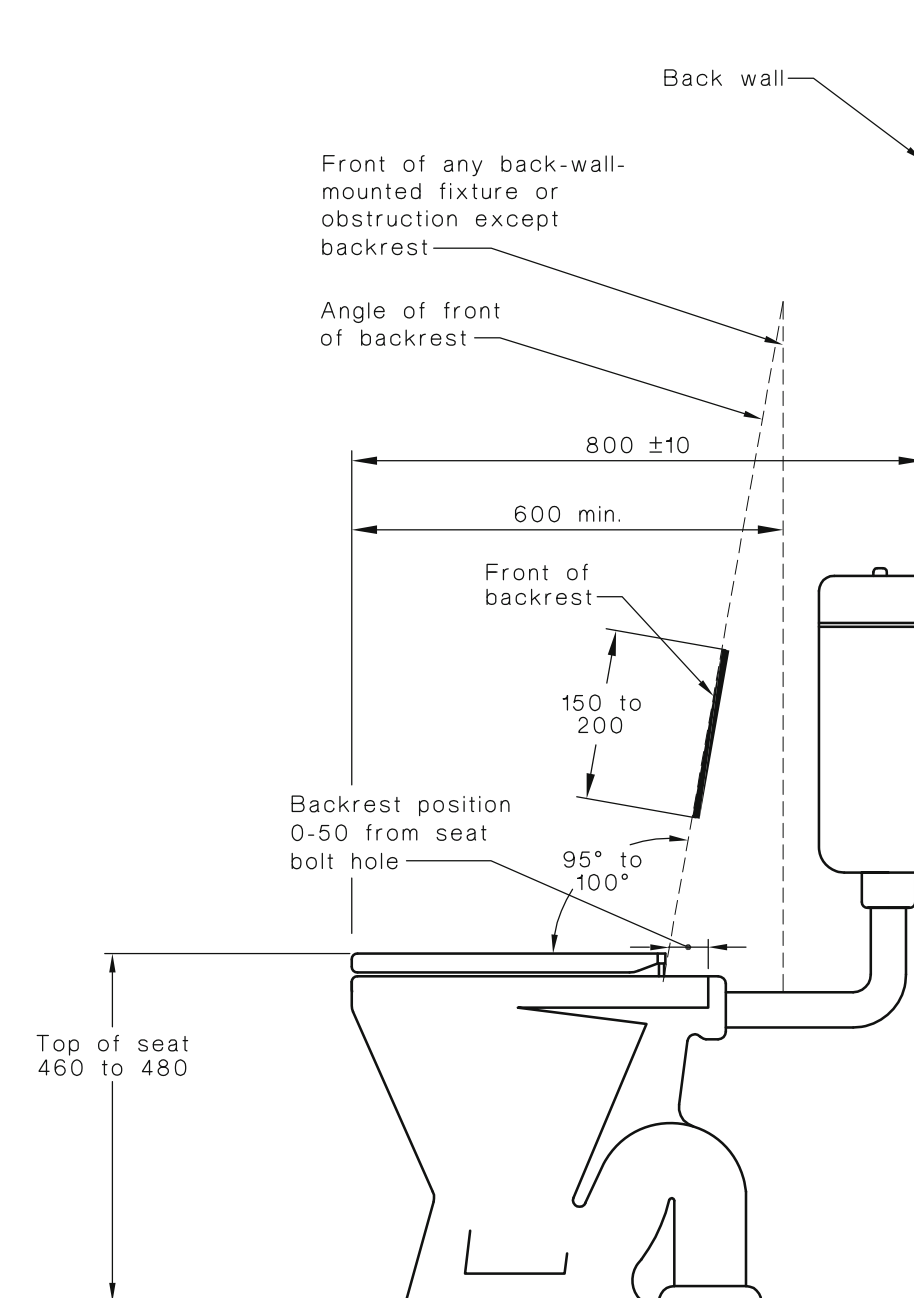
AMDT
No. 1
NOV
2010

Figure 39(a) and (b)

Delete Figure 39(a) and (b) and replace with the following:



(a) Front view



(b) Side view

AMDT
No. 1
NOV
2010

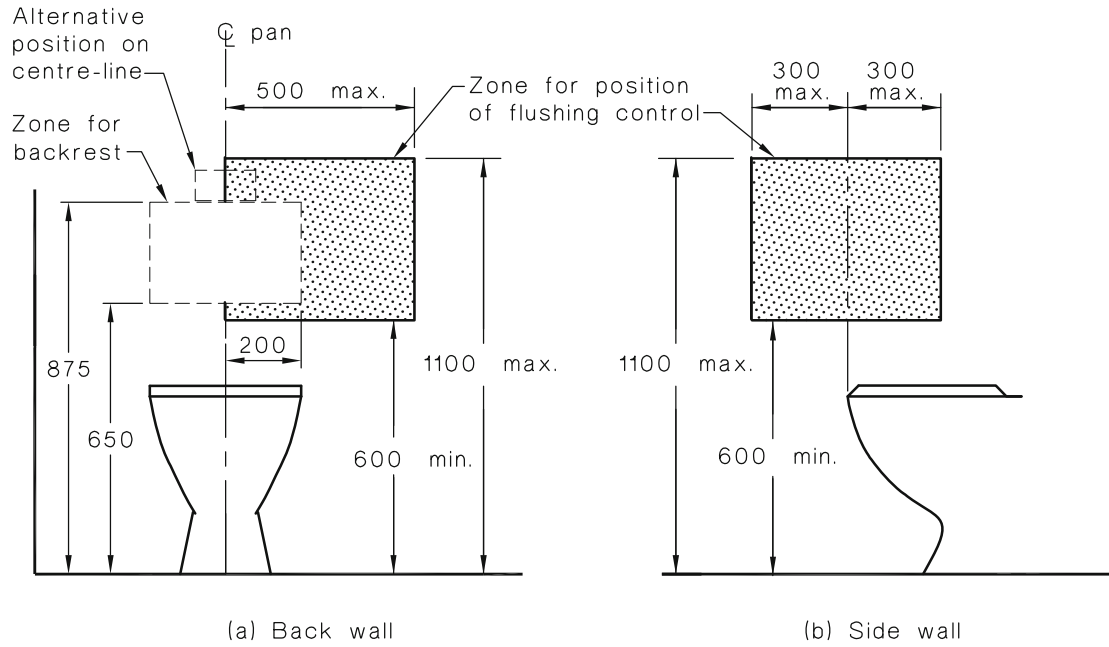
Clause 15.2.5

In the third sentence after the words 'grabrails' insert 'or backrest'.

AMDT
No. 1
NOV
2010

Figure 40

Delete Figure 40 and replace with the following:



AMDT
No. 1
NOV
2010

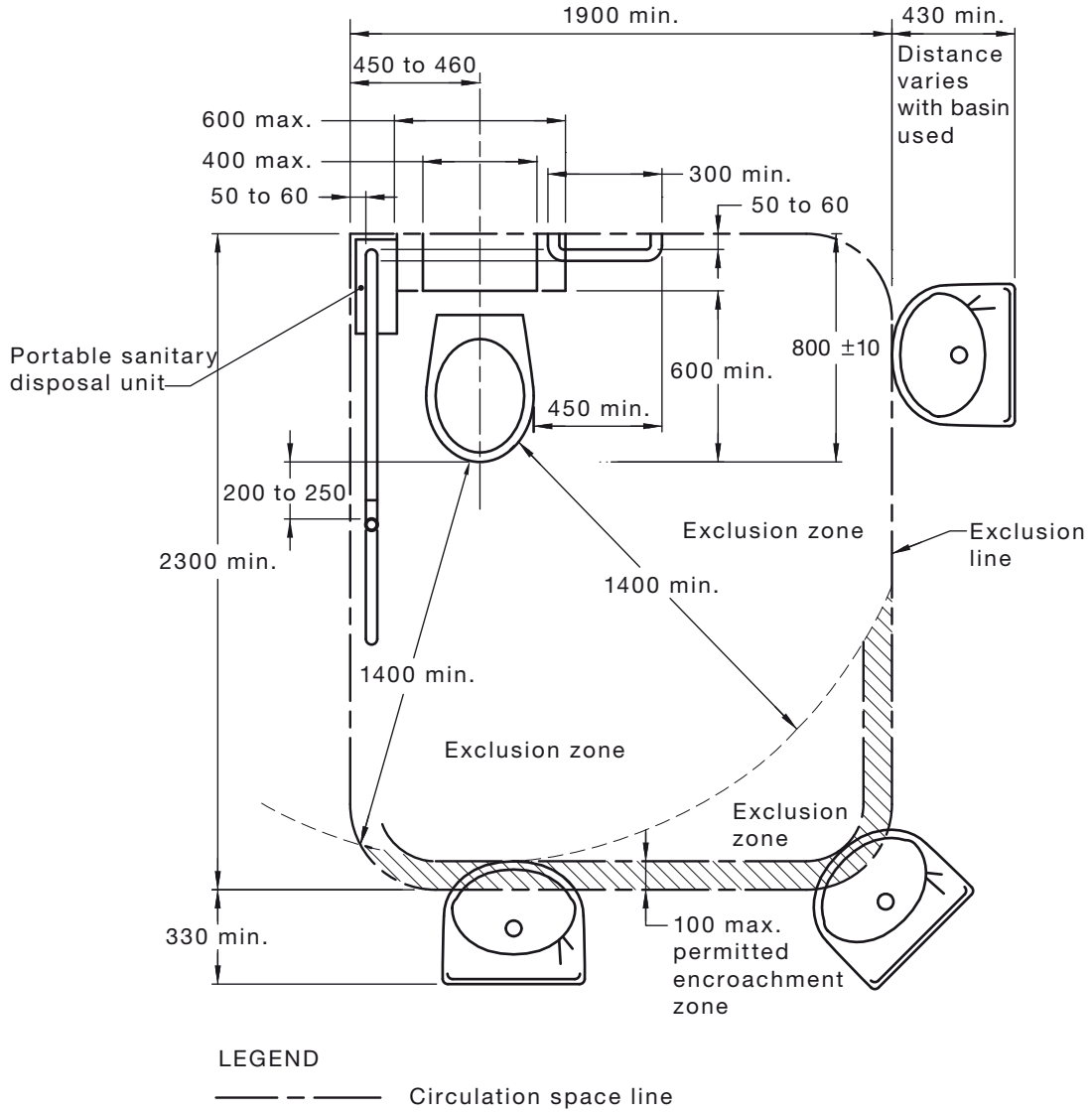
Clause 15.2.8.2(a)

Insert the word 'up' after the word 'folded'.

AMDT
No. 1
NOV
2010

Figure 43

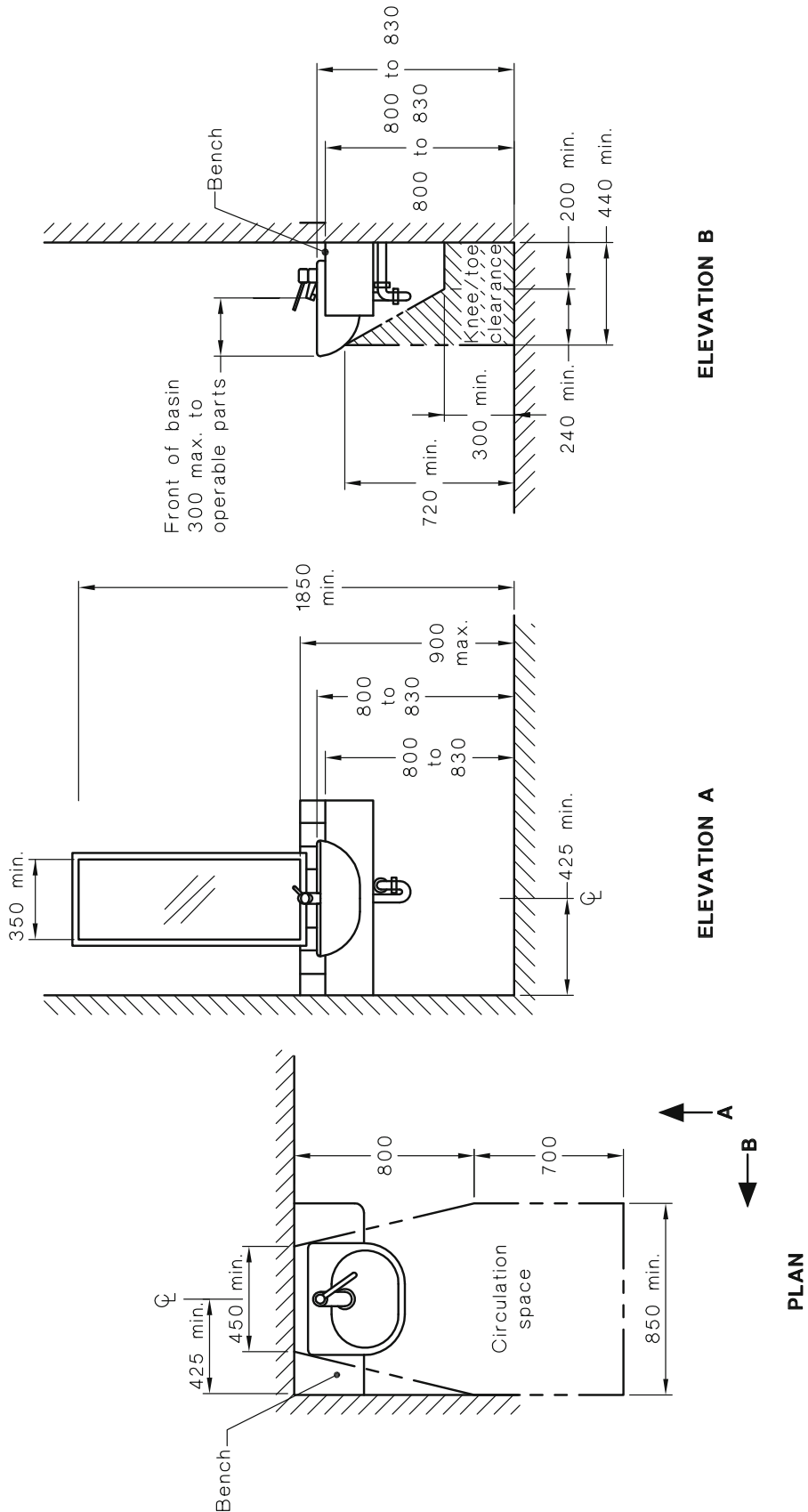
Delete Figure 43 and replace with the following:



AMDT
No. 1
NOV
2010

Figure 44(A)

Delete Figure 44(A) and replace with the following:

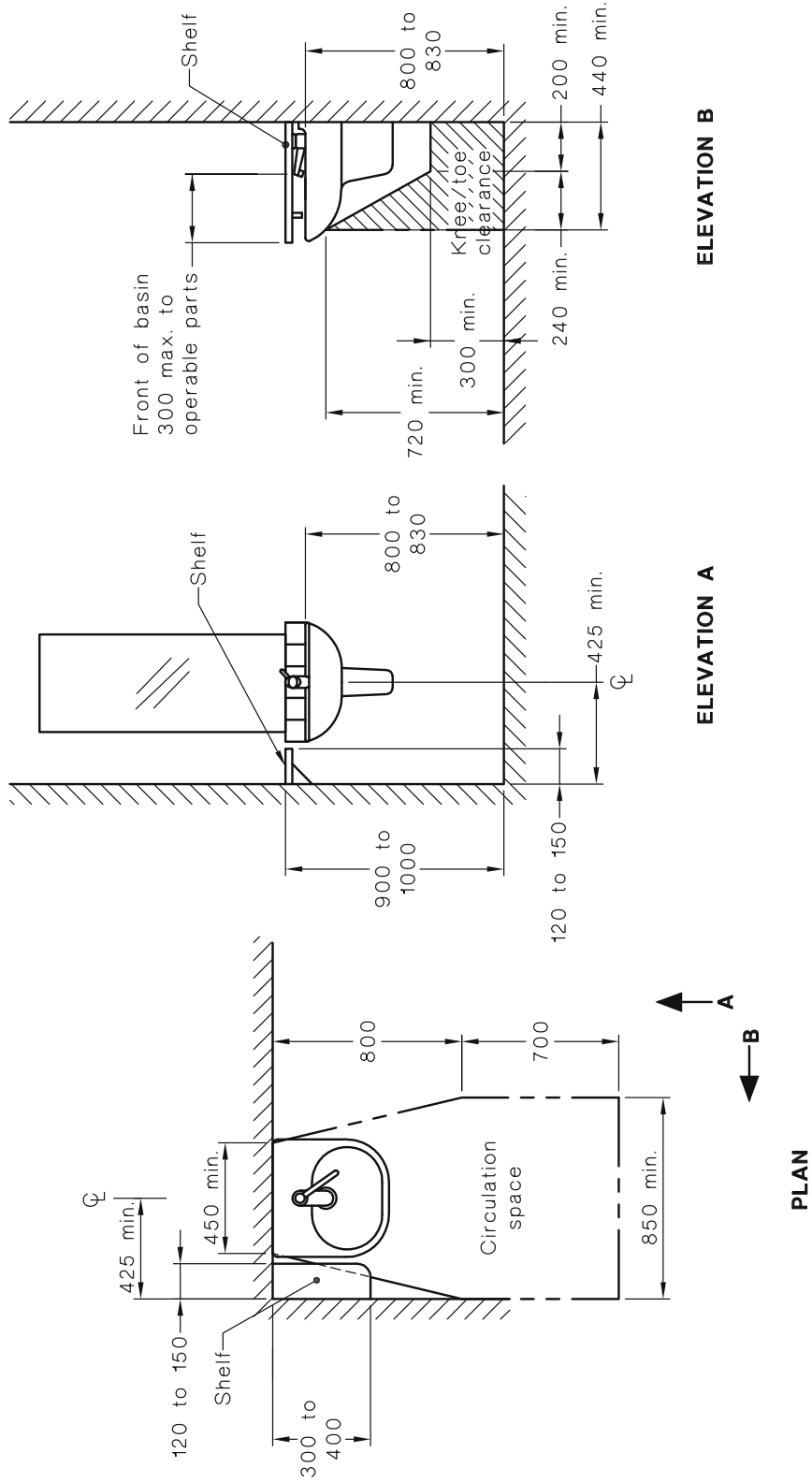


NOTE: 'Operable parts' means the centre-line of the tap, or where a level handle is provided, the end point of the level measure throughout its arc of movement, or where a sensor is provided where the sensor is reliably activated.

AMDT
No. 1
NOV
2010

Figure 44(B)

Delete Figure 44(B) and replace with the following:

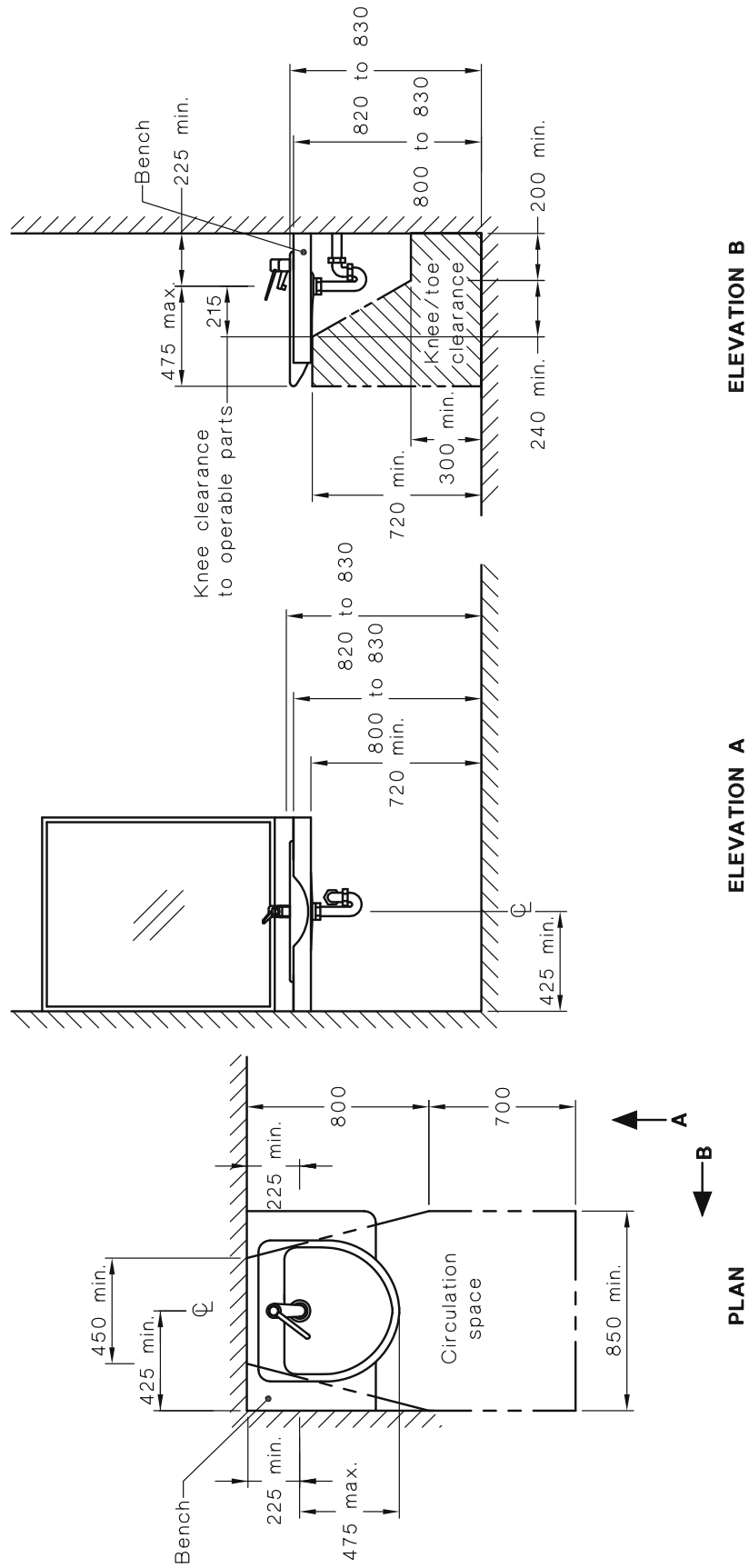


NOTE: 'Operable parts' means the centre-line of the tap or, where a level handle is provided, the end point of the level measure throughout its arc of movement, or where a sensor is provided where the sensor is reliably activated.

AMDT
No. 1
NOV
2010

Figure 45

Delete Figure 45 and replace with the following:



NOTE: 'Operable parts' means the centre-line of the tap or, where a level handle is provided, the end point of the level measure throughout its arc of movement, or where a sensor is provided where the sensor is reliably activated.

AMDT
No. 1
NOV
2010

Clause 15.5.10 (new)

Insert the following new Clause:

15.5.10 Clothes hanging devices

‘Two clothes hooks shall be installed within reach of the shower seat, as shown in Figure 47.’

AMDT
No. 1
NOV
2010

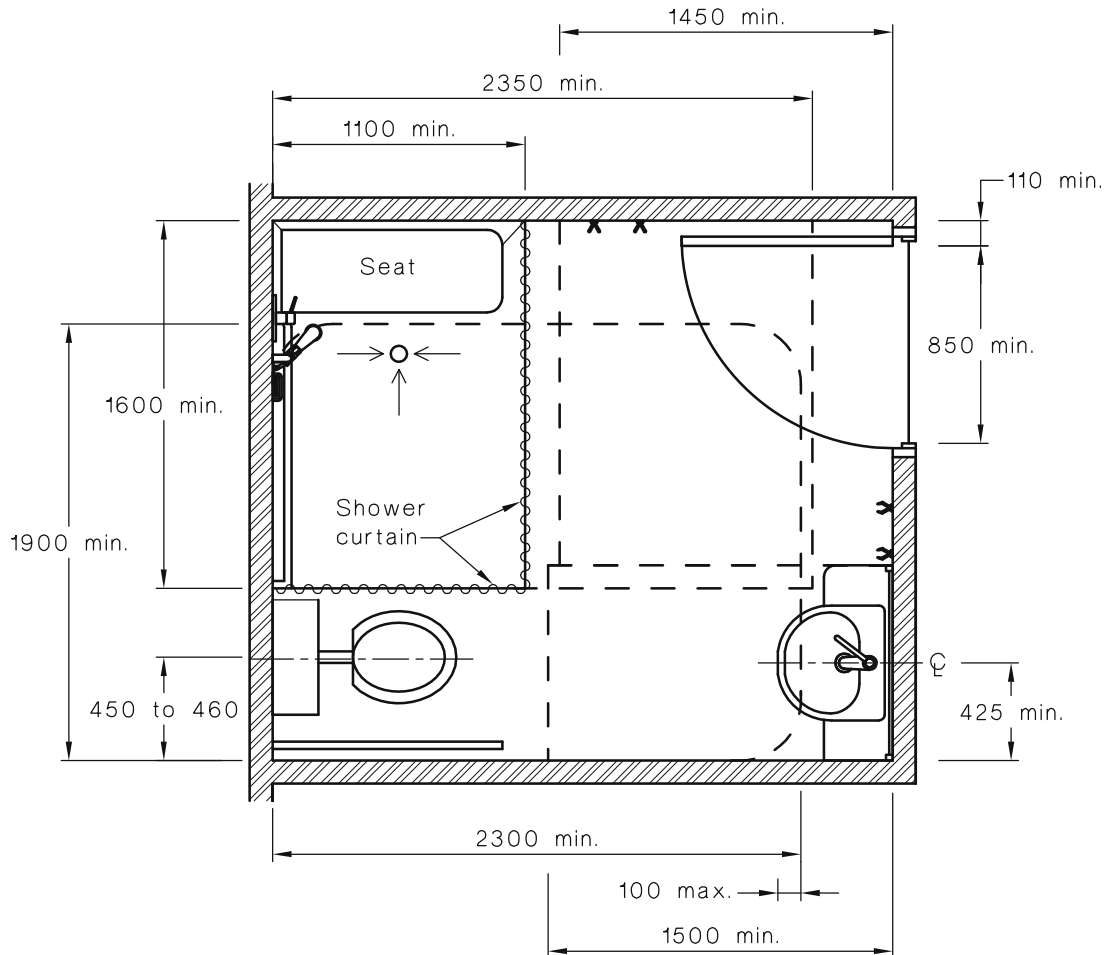
Clause 15.6(b)

- 1 For Item (i) *delete* the words ‘Figure 43’ and *replace* with ‘Figures 43 and 50’.
- 2 *Delete* Item (ii).

AMDT
No. 1
NOV
2010

Figure 50

Delete Figure and caption and *replace* with the following:



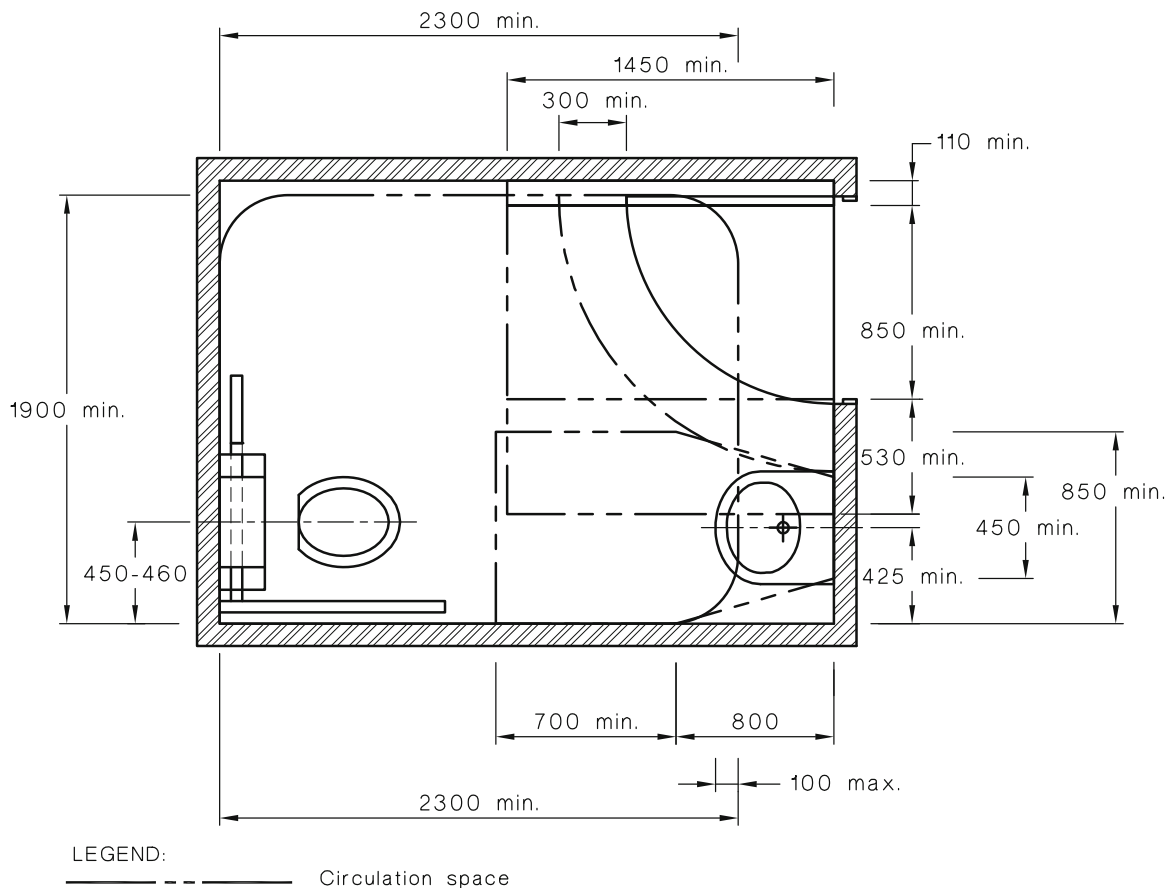
DIMENSIONS IN MILLIMETRES

FIGURE 50 COMBINED SANITARY COMPARTMENT SHOWING OVERLAP OF WASHBASIN FIXTURE INTO PAN CIRCULATION SPACE

AMDT
No. 1
NOV
2010

Figure 52

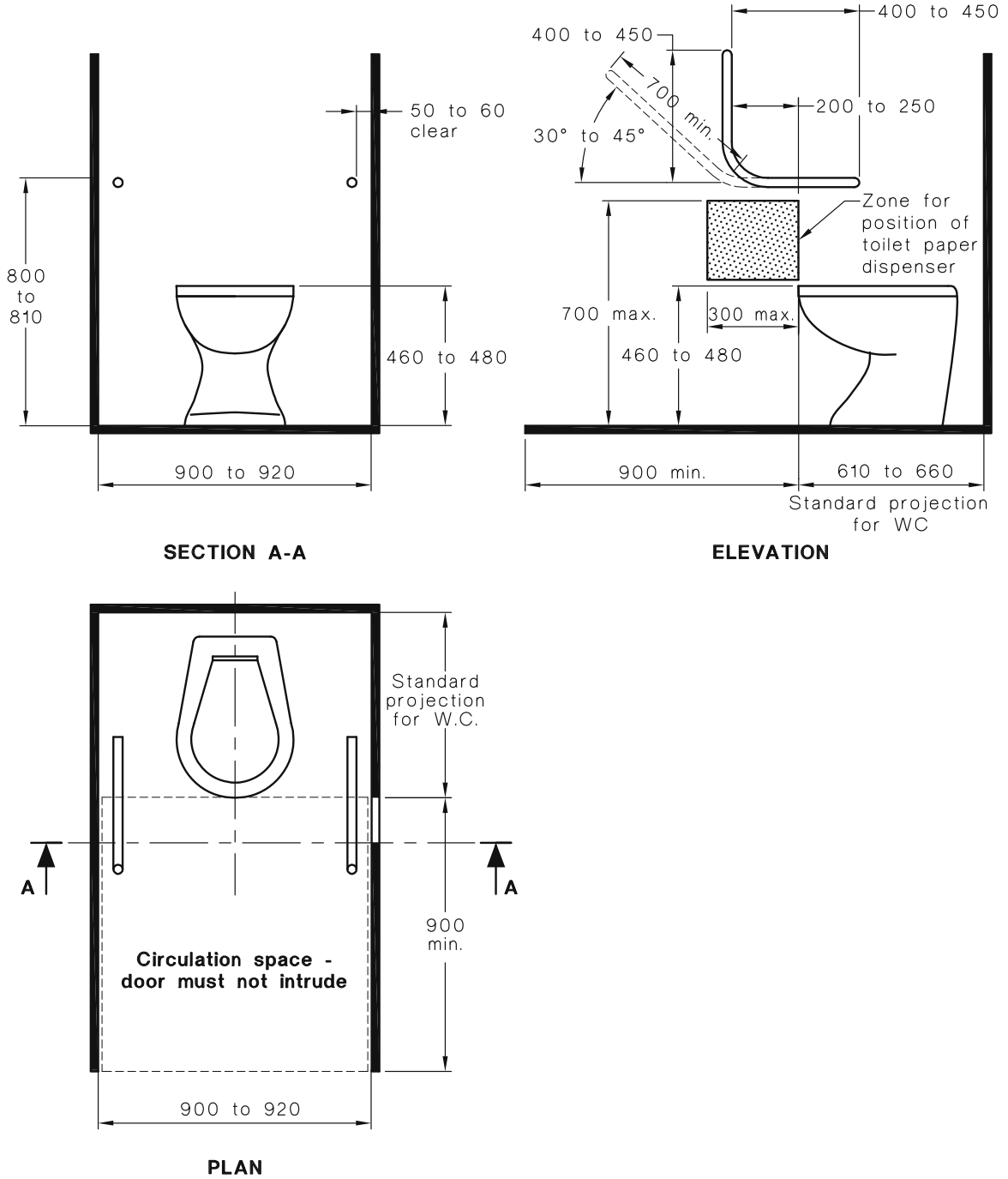
Delete Figure 52 and replace with the following:



AMDT
No. 1
NOV
2010

Figure 53(A)

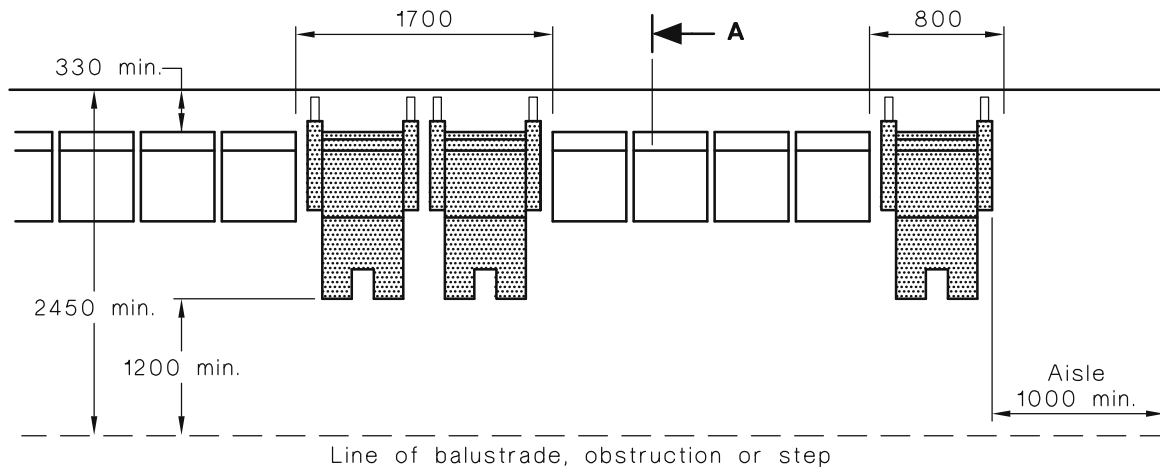
Delete Figure 53(A) and replace with the following:



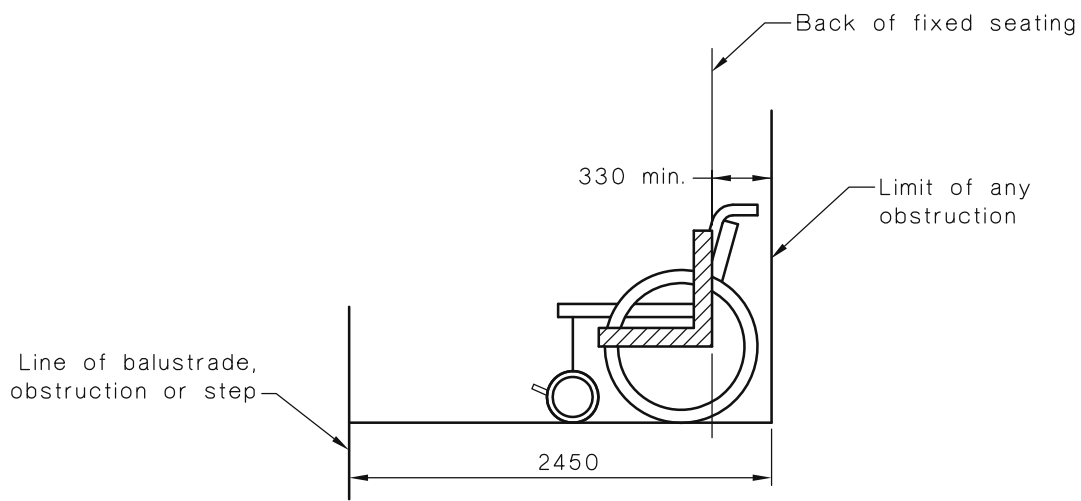
AMDT
No. 1
NOV
2010

Figure 54(D) (new)

Add the following new figure:



PLAN— APPROACH FROM THE FRONT



SECTION A-A

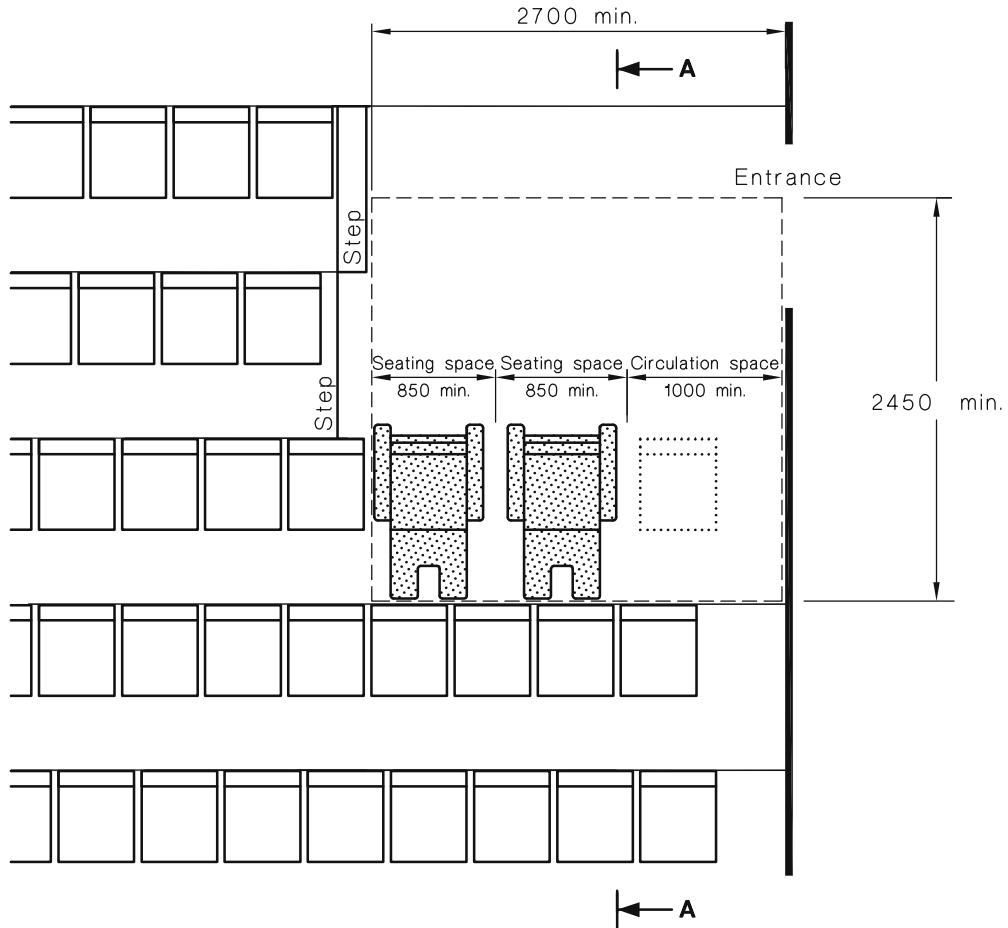
DIMENSIONS IN MILLIMETRES

**FIGURE 54(D) WHEELCHAIR SEATING SPACES IN AUDITORIA FRONT ROW—
APPROACHING FROM THE FRONT**

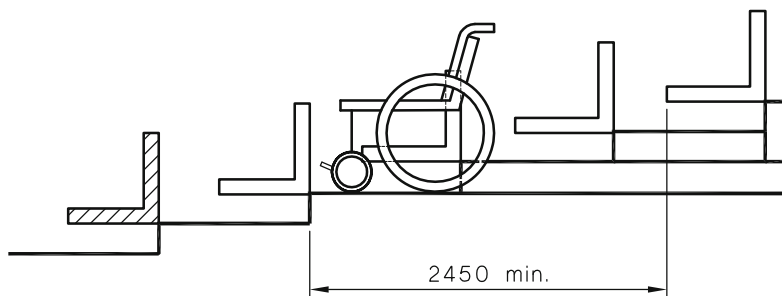
AMDT
No. 1
NOV
2010

Figure 54(E) (new)

Add the following figure:



PLAN



SECTION A-A

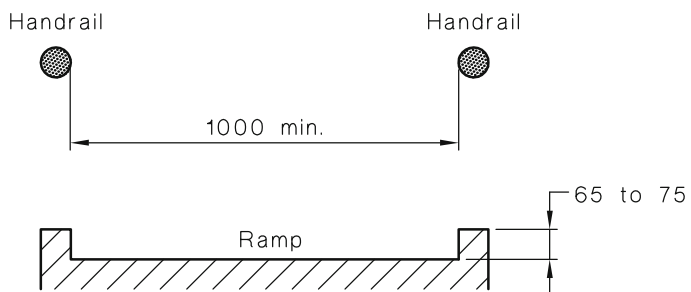
DIMENSIONS IN MILLIMETRES

FIGURE 54(E) PAIRED WHEELCHAIR SEATING SPACES IN AUDITORIA WITH CONTINENTAL SEATING OR WHERE THERE ARE NO CROSSOVERS

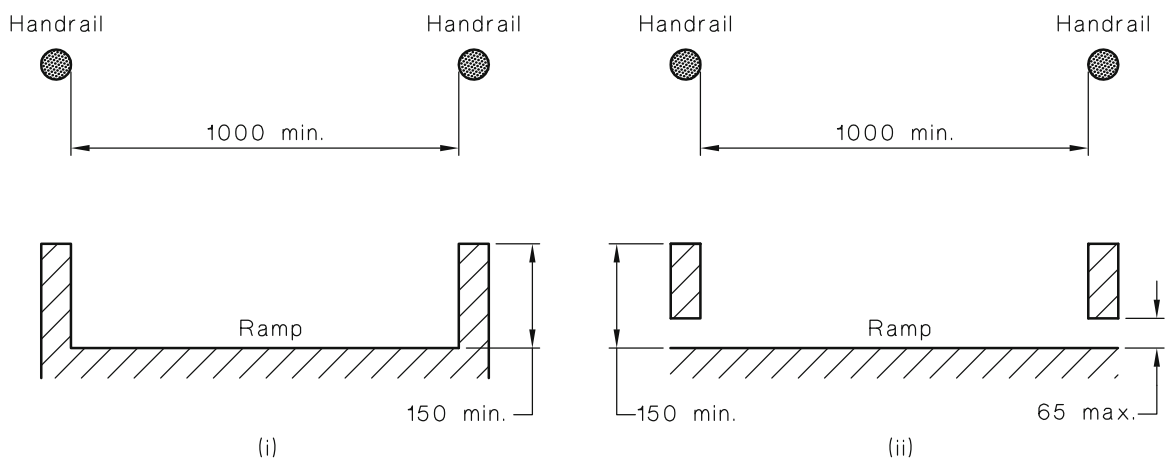
AMDT
No. 1
NOV
2010

Appendix A, Figure A1(a) and (b)

Delete Figures A1(a) and (b) and *replace* with the following:

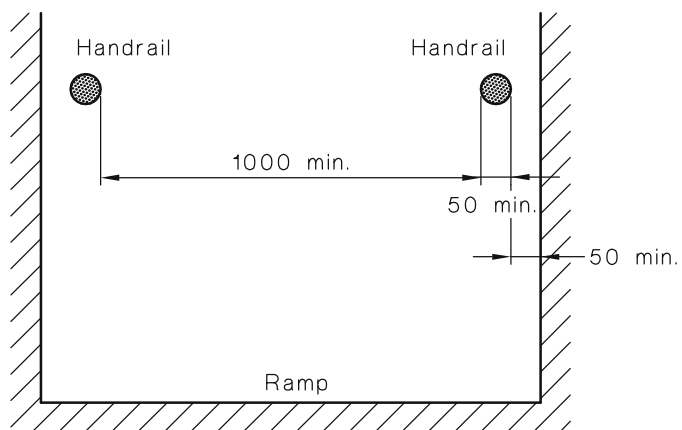


(a) Low wall as kerb



(i)

(ii)



(iii)

(b) High wall as kerb

AMDT
No. 1
NOV
2010

Bibliography

Add the following:

'Bails, J. H., 1983. 'Project Report of the Field Testing of Australian Standard 1428—1977.' (Comprises a series of separate investigations). South Australian Department of Housing and Construction. (Now SA Housing)'

This is a free preview. Purchase the entire publication at the link below:

[Product Page](#)

-
- [Looking for additional Standards? Visit Intertek Inform Infostore](#)
 - [Learn about LexConnect, All Jurisdictions, Standards referenced in Australian legislation](#)
-